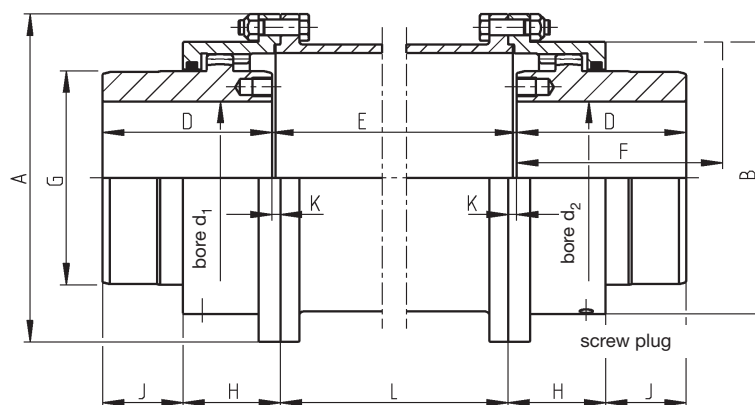


Curved Tooth Couplings

Construction Series LBLk

Dimension Table No. 243 130/ 2



For coupling selection, please see page 6.

Torsional stiffness values, mass moments of inertia for couplings with spacer and weight details are contained in the data table for LBLk-type couplings.

Sizes 32 to 225 are available from stock, without spacer.

Other sizes available on request.

The dismounting dimension F is required to allow vertical installation and removal of the machines and O-ring replacement.

The maximum permissible static parallel misalignment depends on the permissible angular misalignment and on the length of the spacer. The permissible angular misalignment for LBLk coupling types is $\Delta K_{w \text{ perm.}} = 0.75^\circ$ per coupling half.

Higher misalignment capacity is possible, but requires special measures.

1) The speed n_{max} depends on the length and weight of the spacer.

The maximum speed capacity is determined by the misalignment. Please see table 'Speed Factors'.

2) Values for the complete coupling without spacer, with bore $d_1, d_{2\text{max}}$.

| Type LBLk | Norm. Speed ¹⁾ cont. duty $\frac{P_{KN}}{n}$ kW·min | n_{max} rpm | bore $d_1; d_2$ | | Dimensions | | | | | | | | | | Total grease ²⁾ quantity kg | Mass ²⁾ moment of inertia J kgm ² | Weight ²⁾ kg |
|-----------|---|-------------------------|-----------------|-----|------------|-----------|---------|---------|---------|---------|---------|---------|---------|---------|--|--|----------------------------|
| | | | | | min mm | max mm | A mm | B mm | D mm | F mm | G mm | H mm | J mm | K mm | | | |
| 32 | 0.050 | 8500 | 12 | 35 | 105 | 74 | 50 | 80 | 48 | 45.0 | 9.5 | 4.5 | E-9 | 0.03 | 0.0034 | 2.9 | |
| 38 | 0.082 | 7500 | 12 | 42 | 115 | 88 | 60 | 90 | 60 | 50.5 | 14.5 | 5.0 | E-10 | 0.04 | 0.0059 | 4.3 | |
| 48 | 0.146 | 6900 | 22 | 55 | 145 | 108 | 70 | 100 | 77 | 51.0 | 24.0 | 5.0 | E-10 | 0.06 | 0.015 | 7.0 | |
| 60 | 0.288 | 6300 | 22 | 65 | 165 | 125 | 80 | 110 | 90 | 53.5 | 32.0 | 5.5 | E-11 | 0.10 | 0.026 | 9.3 | |
| 70 | 0.50 | 5900 | 28 | 80 | 195 | 146 | 90 | 120 | 112.5 | 56.0 | 40.0 | 6 | E-12 | 0.15 | 0.059 | 14.7 | |
| 80 | 0.82 | 5400 | 28 | 92 | 215 | 168 | 100 | 130 | 128.5 | 59.5 | 46.5 | 6 | E-12 | 0.22 | 0.097 | 20.0 | |
| 90 | 1.14 | 5000 | 32 | 105 | 230 | 185 | 110 | 140 | 145 | 63.5 | 53.5 | 7 | E-14 | 0.29 | 0.14 | 25.4 | |
| 100 | 1.64 | 4700 | 32 | 115 | 265 | 210 | 125 | 150 | 160.5 | 74.0 | 58.0 | 7 | E-14 | 0.44 | 0.28 | 38.0 | |
| 110 | 2.30 | 4300 | 55 | 126 | 270 | 224 | 140 | 170 | 176.0 | 80.5 | 66.5 | 7 | E-14 | 0.55 | 0.36 | 45.6 | |
| 125 | 2.88 | 4000 | 65 | 145 | 305 | 245 | 150 | 180 | 200.5 | 87.5 | 70.5 | 8 | E-16 | 0.79 | 0.64 | 62 | |
| 140 | 4.60 | 3700 | 75 | 162 | 330 | 270 | 170 | 200 | 224.5 | 98.5 | 80.5 | 9 | E-18 | 0.90 | 1.03 | 82 | |
| 160 | 6.48 | 3400 | 85 | 185 | 375 | 305 | 190 | 230 | 256.5 | 110.5 | 89.5 | 10 | E-20 | 1.23 | 1.5 | 93 | |
| 180 | 9.24 | 3100 | 120 | 210 | 425 | 348 | 220 | 260 | 288.5 | 125.0 | 107.0 | 12 | E-24 | 1.90 | 3.6 | 177 | |
| 200 | 12.92 | 2900 | 140 | 230 | 470 | 392 | 250 | 300 | 320.5 | 136.0 | 126.0 | 12 | E-24 | 2.40 | 6.2 | 245 | |
| 225 | 18.4 | 2700 | 160 | 260 | 535 | 437 | 280 | 330 | 362.0 | 157.5 | 136.5 | 14 | E-28 | 3.70 | 11.2 | 347 | |

Subject to change due to technical improvement.