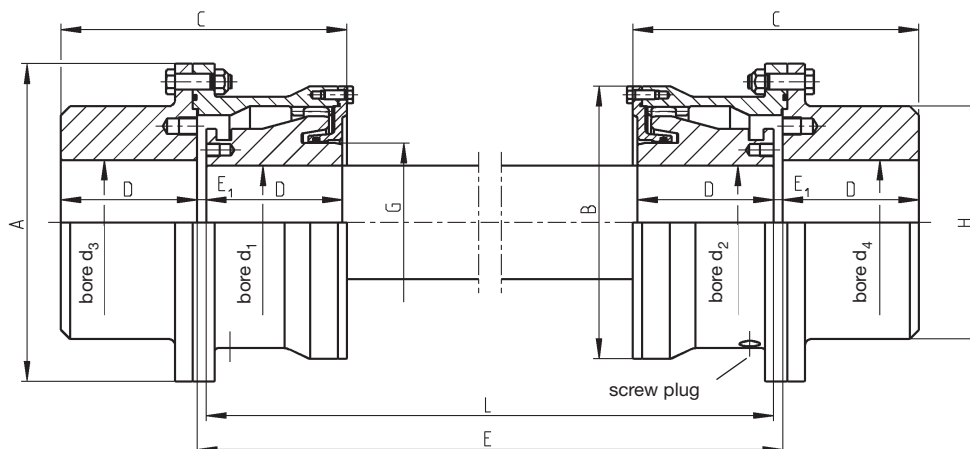


# Curved Tooth Couplings

## Construction Series SBG

Dimension Table No. 243 133



For coupling selection, please see page 6.

Torsional stiffness values for couplings with intermediate shaft are contained in the data table for SB-type couplings.

**Sizes 30 to 200 are available from stock, without intermediate shaft. Other sizes available on request.**

The maximum permissible static parallel misalignment depends on the permissible angular misalignment and on the length of the intermediate shaft. The permissible angular misalignment for SBG coupling types is  $\Delta K_{w \text{ perm.}} = 1.5^\circ$  per coupling half.

Higher misalignment capacity is possible, but requires special measures.

1) The speed  $n_{\text{max}}$  depends on the length and weight of the intermediate shaft.

The maximum speed capacity is determined by the misalignment. Please see the table 'Speed Factors'.

2) Values for the complete coupling without intermediate shaft, with bores  $d_1, d_2_{\text{max}}$  and  $d_3; d_4_{\text{max}}$ .

Type SBG	Norm. Speed <sup>1)</sup> cont. duty $\frac{P_{KN}}{n}$ kW-min	Speed <sup>1)</sup> $n_{\text{max}}$ rpm	Dimensions													Total grease quantity kg	Total oil quantity litres	Mass <sup>2)</sup> moment of inertia J kgm <sup>2</sup>	Weight <sup>2)</sup> kg
			bore						A	B	C	D	E <sub>1</sub>	G	H				
			d <sub>1</sub> ;d <sub>2</sub>			d <sub>3</sub> ;d <sub>4</sub>													
Size			pre mm	min mm	max mm	pre mm	min mm	max mm											
30	0.082	7500	10	12	32	10	12	55	118	92	105	50	3.5	45	80	0.09	0.04	0.01	7.7
40	0.146	6900	20	22	46	20	22	65	145	115	126.5	60	5	60	95	0.10	0.06	0.03	12.6
50	0.288	6300	20	22	58	20	22	75	165	135	146.5	70	5	75	112	0.18	0.09	0.06	19
60	0.50	5900	26	28	70	26	28	90	200	160	169	80	6	90	130	0.26	0.13	0.14	31
70	0.82	5400	26	28	78	26	28	100	220	178	189	90	6	100	150	0.36	0.16	0.23	45
80	1.14	5000	30	32	92	30	32	115	240	196	209	100	6	120	170	0.41	0.21	0.36	56
90	1.64	4700	30	32	100	30	32	130	270	225	232	110	8	130	190	0.62	0.32	0.67	83
100	2.30	4300	53	55	110	53	55	140	280	240	252	120	8	140	205	0.77	0.37	0.88	97
110	2.88	4000	63	65	120	63	65	155	310	265	272	130	8	155	225	1.1	0.53	1.45	129
125	4.60	3700	73	75	138	73	75	170	340	295	315	150	10	175	250	1.4	0.68	2.40	180
140	6.48	3400	83	85	156	83	85	195	390	325	345	165	10	200	285	1.7	0.9	4.34	252
160	9.24	3100	118	120	180	108	110	225	435	370	398	190	12	230	325	2.7	1.5	8.1	365
180	12.92	2900	138	140	200	132	134	250	480	415	454	220	12	260	360	3.4	1.9	13.8	508
200	18.4	2700	158	160	225	148	150	280	545	465	508	245	14	290	410	4.9	2.6	25.3	742
220	25.6	2400	158	160	250	158	160	320	580	510	556	270	16	355	450	5.2	2.8	36.9	934
240	32.8	2200	178	180	275	178	180	340	645	560	598	290	18	390	480	7.3	3.5	54.5	1175
260	41.0	2100	198	200	295	198	200	370	680	595	640	310	20	415	520	8.3	4	77	1450
280	51.4	2000	218	220	325	218	220	390	745	660	700	340	20	460	550	10.5	6	120	1885
300	64.8	1900	238	240	340	238	240	410	775	675	740	360	20	480	580	11.5	8	150	2170
320	82.0	1800	258	260	375	258	260	440	825	725	780	380	20	525	620	13.5	9	208	2620
340	98.6	1700	278	280	400	278	280	460	915	795	808	390	28	560	650	21	11	316	3310
360	118.3	950	297	300	420	297	300	485	960	840	830	400	30	590	680	27	12	410	3880
380	138.0	900	317	320	445	317	320	510	1010	890	870	420	30	625	720	30	13	558	4495
400	165.1	875	337	340	460	337	340	535	1050	925	890	430	30	650	750	33	15	662	4880

Subject to change due to technical improvement.