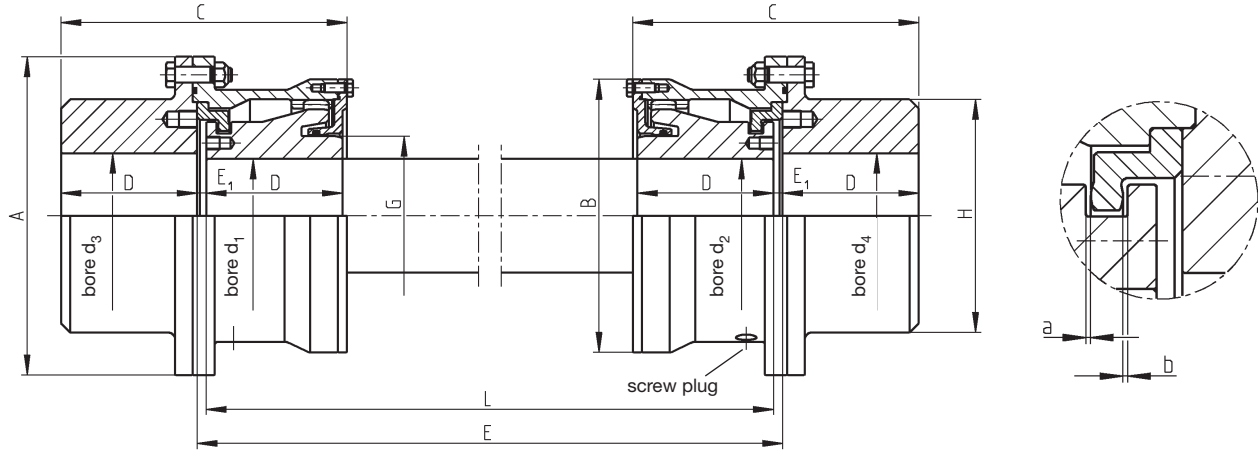


# Curved Tooth Couplings

## Construction Series SRG

Dimension Table No. 243 135



The construction series SRG is equipped with two Z-shaped retaining rings for end float limitation. For these types, the permissible angular misalignment depends on the axial clearances a and b.

For coupling selection, please see page 6.

**Sizes 30 to 200 available from stock, without intermediate shaft.**

**Other sizes available on request.**

Torsional stiffness values for couplings with intermediate shaft are contained in the data table for SB-type couplings.

1) The speed  $n_{max}$  depends on the length and weight of the intermediate shaft.

The maximum speed capacity is determined by the misalignment.

Please see table 'Speed Factors'.

2) The permissible angular misalignment  $\Delta K_{W perm.}$  is  $0.6^\circ$  per coupling half, based on the values stated in the list.

The axial clearances a and b can be varied if the operation conditions require so.

3) Values for the complete coupling without intermediate shaft, with bores  $d_1$ ;  $d_{2 max.}$  and  $d_3$ ;  $d_{4 max.}$

Type SRG	Norm. Speed <sup>1)</sup> cont. duty	Dimensions														Axial clearances <sup>2)</sup>			
		bore $d_1; d_2$			bore $d_3; d_4$			A	B	C	D	$E_1$	G	H	a and b	Total grease or oil quantity	Mass <sup>3)</sup> moment of inertia J	Weight <sup>3)</sup>	
Size	$\frac{P_{KN}}{n}$ kW-min	$n_{max.}$ rpm	pre mm	min mm	max mm	pre mm	min mm	max mm	mm	mm	mm	mm	mm	mm	mm	kg	kg/litres	kgm <sup>2</sup>	kg
30	0.082	7500	10	12	32	10	12	55	118	92	105	50	3.5	45	80	0.5	0.09	0.012	8.0
40	0.146	6900	20	22	46	20	22	65	145	115	126.5	60	5	60	95	0.5	0.17	0.030	13.0
50	0.288	6300	20	22	58	20	22	75	165	135	146.5	70	5	75	112	0.5	0.27	0.062	19.8
60	0.50	5900	26	28	70	26	28	90	200	160	169	80	6	90	130	0.5	0.45	0.143	32
70	0.82	5400	26	28	78	26	28	100	220	178	189	90	6	100	150	0.5	0.59	0.235	46
80	1.14	5000	30	32	92	30	32	115	240	196	209	100	6	120	170	0.5	0.77	0.38	58
90	1.64	4700	30	32	100	30	32	130	270	225	232	110	8	130	190	0.5	1.3	0.69	86
100	2.30	4300	53	55	110	53	55	140	280	240	252	120	8	140	205	1.0	1.5	0.90	99
110	2.88	4000	63	65	120	63	65	155	310	265	272	130	8	155	225	1.0	1.9	1.49	133
125	4.60	3700	73	75	138	73	75	170	340	295	315	150	10	175	250	1.0	2.5	2.70	187
140	6.48	3400	83	85	156	83	85	195	390	325	345	165	10	200	285	1.0	3.2	4.42	259
160	9.24	3100	118	120	180	108	110	225	435	370	398	190	12	230	325	1.0	4.7	8.2	374
180	12.92	2900	138	140	200	132	134	250	480	415	454	220	12	260	360	1.0	7.2	14.1	521
200	18.4	2700	158	160	225	148	150	280	545	465	508	245	14	290	410	1.0	11.0	25.6	765
220	25.6	2400	158	160	250	158	160	320	580	510	556	270	16	355	450	1.5	11.8	37.9	964
240	32.8	2200	178	180	275	178	180	340	645	560	598	290	18	390	480	1.5	12.8	57.3	1210
260	41.0	2100	198	200	295	198	200	370	680	595	640	310	20	415	520	1.5	14.4	79.3	1485
280	51.4	2000	218	220	325	218	220	390	745	660	700	340	20	460	550	1.5	17.5	124	1950
300	64.8	1900	238	240	340	238	240	410	775	675	740	360	20	480	580	1.5	21.5	155	2255
320	82.0	1800	258	260	375	258	260	440	825	725	780	380	20	525	620	1.5	22	216	2710
340	98.6	1700	278	280	400	278	280	460	915	795	808	390	28	560	650	1.5	29	326	3420

Subject to change due to technical improvement.