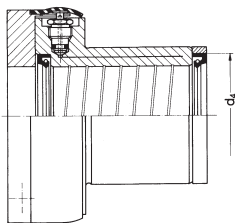
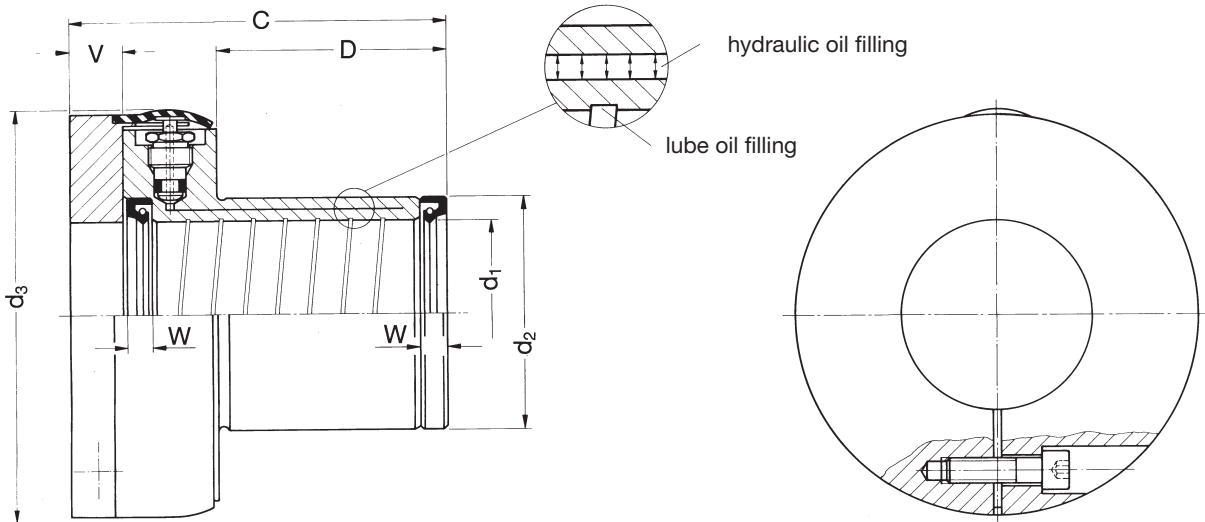


HYGUARD® Safety Couplings

Series B



Table of Dimensions No. 243 080



• Note

Dimension d_4 is only valid for sizes 170 to 220, as there is a difference between the outside diameter d_2 of the clamping element and the outside diameter of the radial seal.

Dimensions are subject to change due to technical progress.

This B series is the basic element of the HYGUARD® safety coupling. Thanks to its compact dimensions, it can be combined with a very wide range of drive elements without influencing their torque capacity. At the same time, the safety coupling sleeve is equally suitable for clamping fixed and rotating parts.

After release, the coupling acts like a sliding bearing. However, the circumferential speed on the sliding face should not exceed 1.5 m/s. This is why the B series is preferably suitable for low-speed drives.

1) Higher speeds on request
For surface roughness and tolerances, please see page 9.

Type B	Torque Range T ~ Nm	Speed ¹⁾ n_{max} rpm	Dimensions								Weight kg	Mass Moment of Inertia J kgm ²
			d_1 mm	d_2 mm	d_3 mm	d_4 mm	C mm	D mm	V mm	W mm		
30	300 – 600	955	30	40	98	–	82	40	12	4	1,9	0,0020
35	450 – 900	818	35	45	104	–	87	45	12	4	2,1	0,0025
40	650 – 1300	716	40	52	109	–	94	52	12	5	2,5	0,003
45	850 – 1700	636	45	58	116	–	102	60	12	7	2,8	0,004
50	1100 – 2200	572	50	65	122	–	109	65	14	8	3,4	0,006
60	1800 – 3600	477	60	75	133	–	117	73	14	8	4,0	0,009
70	3000 – 6000	409	70	90	148	–	130	82	18	8	5,7	0,015
80	3900 – 7800	358	80	100	157	–	146	98	18	8	6,6	0,020
90	5000 – 10000	318	90	110	168	–	158	110	18	8	7,6	0,028
100	7500 – 15000	286	100	125	183	–	180	120	22	12	12	0,052
110	10000 – 20000	260	110	140	201	–	176	121	20	12	13	0,073
120	13000 – 25000	238	120	150	209	–	205	145	22	12	16	0,095
130	17000 – 33000	220	130	160	218	–	214	156	20	12	17	0,11
140	20000 – 40000	204	140	170	228	–	225	165	22	13	20	0,15
150	23000 – 46000	190	150	180	238	–	235	175	22	13	22	0,18
160	36000 – 71000	179	160	200	246	–	260	195	20	15	27	0,26
• 170	39000 – 78000	168	170	210	256	200	256	191	20	15	28	0,29
• 180	49000 – 98000	159	180	225	274	210	256	191	20	15	32	0,37
• 190	63000 – 126000	150	190	240	286	220	302	236	17	15	43	0,54
• 200	70000 – 140000	143	200	250	296	230	302	236	17	15	45	0,61
• 220	85000 – 170000	130	220	270	314	250	302	236	17	15	49	0,76