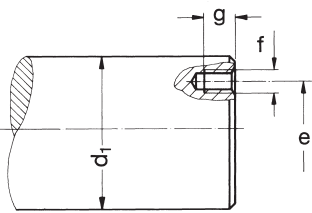
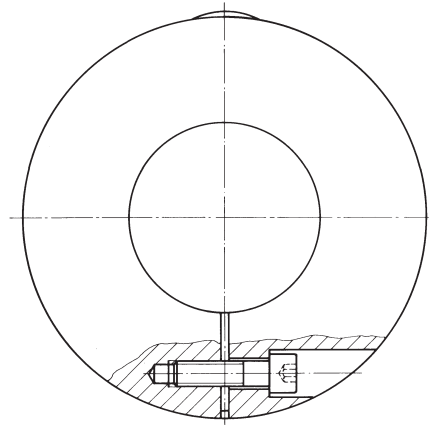
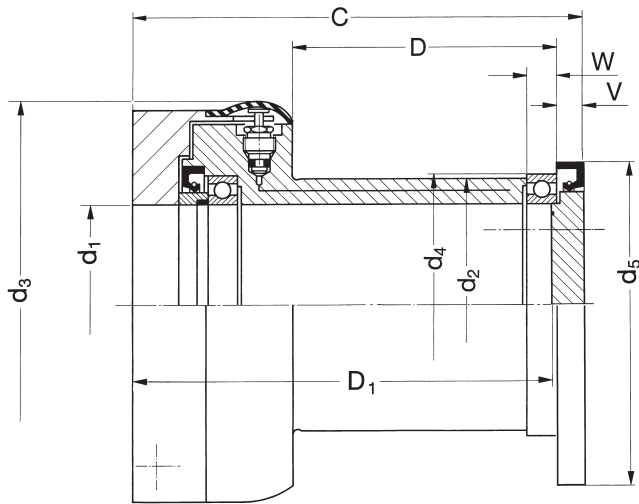


HYGUARD® Safety Couplings

Series BW



Table of Dimensions 243 081



The HYGUARD® series BW essentially corresponds to the basic element B, but is additionally equipped with roller bearings. The BW is therefore also suitable for higher-speed drives. Contrary to the version with sleeve bearing only, this type is mainly used in applications in which circumferential speeds of more than 1,5 m/s

have to be expected in the bearing after release. Yet, the space required by the safety element itself is hardly bigger than for the B-design.

1) Higher speeds on request

For surface roughness and tolerances, please see page 9.

Shaft connecting dimensions to attach bearing cover			
Type BW	Pitch Circle e Ø mm	Size of Thread f Number	Depth of Tread g mm
60	40	4xM 6	13
70	50	4xM 6	13
80	50	4xM 6	13
90	65	4xM 8	18
100	70	4xM 8	18
110	80	4xM 8	18
120	90	4xM 8	18
130	100	4xM 8	18
140	105	4xM10	23
150	115	4xM10	23
160	120	4xM10	23
170	130	4xM10	23
180	135	4xM10	23
190	145	4xM10	23
200	150	4xM10	23
220	175	4xM10	23

Dimensions are subject to change due to technical progress.

Type BW Size	Torque Range T ~ Nm	Speed ¹⁾ n _{max.} rpm	Dimensions								Weight kg	Mass Moment of Inertia J kgm ²			
			d ₁ mm	d ₂ mm	d ₃ mm	d ₄ mm	d ₅ mm	C mm	D mm	D ₁ mm			V mm	W mm	
60	1800 – 3600	7500	60	75	136	78	90	136,5	75	128	+/-0,2	7	10	4,9	0,012
70	3000 – 6000	6700	70	90	148	90	100	150	84	140,5	+/-0,2	7	10	6,6	0,020
80	3900 – 7800	6000	80	100	157	100	110	166	100	156,5	+/-0,2	8	10	7,6	0,025
90	5000 – 10000	5300	90	110	168	115	125	184	111	170	+/-0,2	12	13	9,2	0,037
100	7500 – 15000	4800	100	125	183	125	140	206	121	191	+/-0,2	12	13	14	0,065
110	10000 – 20000	4300	110	140	201	140	150	208	125	193	+/-0,2	12	16	16	0,095
120	13000 – 25000	3800	120	150	209	150	160	237	148	221	+/-0,2	13	16	19	0,12
130	17000 – 33000	3600	130	160	218	165	170	250	161	234	+/-0,2	13	18	21	0,14
140	20000 – 40000	3400	140	170	228	175	180	261	170	245	+/-0,2	13	18	24	0,19
150	23000 – 46000	3000	150	180	238	190	190	275	182	259	+/-0,2	13	20	27	0,23
160	36000 – 71000	2800	160	200	253	200	200	300	202	284	+/-0,2	13	20	32	0,32
170	39000 – 78000	2600	170	210	258	215	215	300	198	282	+/-0,2	15	22	34	0,37
180	49000 – 98000	2400	180	225	273	225	225	300	197	281	+/-0,2	16	22	38	0,46
190	63000 – 126000	2200	190	240	286	240	250	350	245	332	+/-0,2	15	24	50	0,66
200	70000 – 140000	2200	200	250	296	250	250	350	245	332	+/-0,2	15	24	53	0,75
220	85000 – 170000	1900	220	270	320	270	270	350	245	332	+/-0,2	15	24	57	0,93