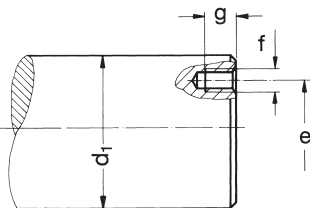
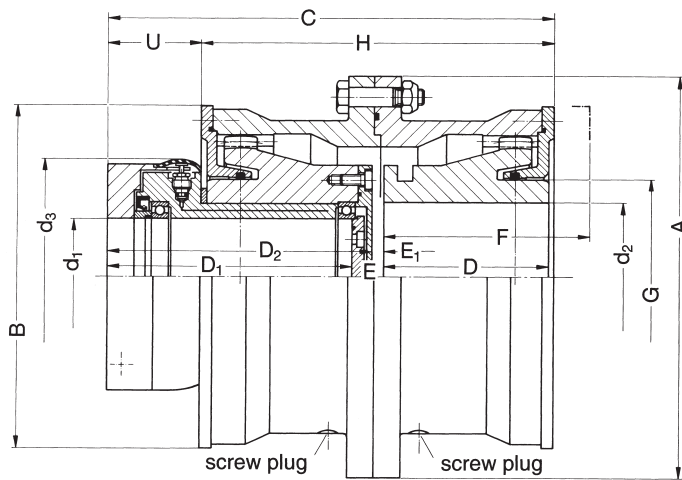


Curved Tooth Couplings SB with HYGUARD® Safety Couplings BW



Table of Dimensions No. 243 085



Here, the BW-safety coupling is combined with the SB-type curved tooth coupling. This produces a double engagement safety coupling for universal use. The maximum permissible angular offset of each coupling half is $\pm 1,5$ degrees, or, for special ver-

sions, up to ± 3 degrees. The SB-type curved tooth coupling is designed for oil lubrication, but grease lubrication is possible, too.

1) Values of complete coupling with max. d_2

Shaft connecting dimensions to attach bearing cover			
Type BW	Pitch Circle e	Size of Thread f	Depth of Thread g
Size	\varnothing mm	Number	mm
60	40	4xM8	15
70	50	4xM8	15
80	55	4xM8	15
90	60	4xM8	15
100	70	4xM8	20
110	75	4xM8	20
120	85	4xM8	20
130	100	4xM8	20
140	100	4xM8	20
150	120	4xM8	20
160	120	4xM10	20
170	125	4xM10	20
180	130	4xM10	20
190	140	4xM10	20
200	150	4xM12	25
220	170	6xM12	25

Dimensions are subject to change due to technical progress.

Type Combination SB/BW Size	Torque Range T ~ Nm	Bore		Dimensions														Weight ¹⁾ kg	Mass Moment of Inertia ¹⁾ J kgm ²
		d ₁ mm	d ₂ rough min max mm mm mm	d ₃ mm	A mm	B mm	C mm	D mm	D ₁ mm	D ₂ mm	E mm	E ₁ mm	F mm	G mm	H mm	U mm			
70/ 60	1800 – 3600	60	26 28 78	133	220	178	249	90	125 ^{+0,5}	150	31	6	130	100	192	57	31	0,145	
80/ 70	3000 – 6000	70	30 32 92	148	240	196	273	100	138 ^{+0,5}	164	32	6	150	120	212	61	39	0,219	
90/ 80	3900 – 7800	80	30 32 100	157	270	225	296	110	154 ^{+0,5}	174	28	8	170	130	236	60	55	0,405	
100/ 90	5000 – 10000	90	53 55 110	168	280	240	320	120	167 ^{+0,5}	188	29	8	180	140	256	64	65	0,531	
110/100	7500 – 15000	100	63 65 120	184	310	265	352	130	189 ^{+0,5}	210	29	8	190	155	276	76	86	0,885	
125/110	10000 – 20000	110	73 75 138	201	340	295	394	150	190 ^{+0,5}	229	49	10	215	175	320	74	116	1,45	
140/120	13000 – 25000	120	83 85 156	209	390	325	429	165	218 ^{+0,5}	249	41	10	230	200	350	79	161	2,53	
160/140	20000 – 40000	140	118 120 180	229	435	370	476	190	242 ^{+0,5}	268	38	12	270	230	404	72	227	4,52	
180/160	36000 – 71000	160	138 140 200	247	480	415	539	220	280 ^{+0,5}	305	37	12	300	260	456	83	317	7,82	
200/170	39000 – 78000	170	158 160 225	257	545	465	595	245	280 ^{+0,5}	332	69	14	340	290	512	83	462	14,56	
220/200	70000 – 140000	200	158 160 250	292	580	510	662	270	327 ^{+0,5}	360	49	16	360	355	556	106	567	20,45	
240/220	85000 – 170000	220	178 180 275	312	645	560	706	290	327 ^{+0,5}	380	71	18	380	390	598	108	714	30,85	