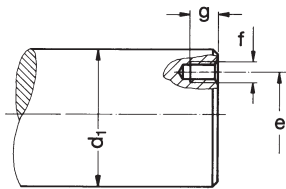
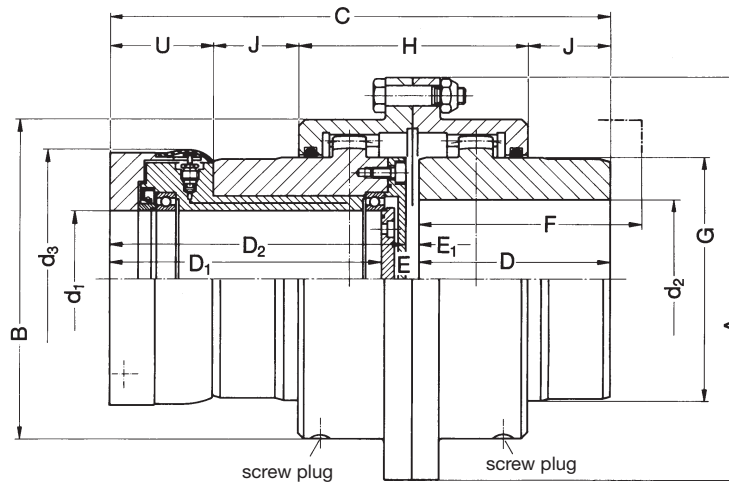


# Curved Tooth Couplings LBk with HYGUARD® Safety Coupling BW



Table of Dimensions No. 243 087



The HYGUARD® safety element BW in combination with the curved tooth coupling LBk is recommended for applications in which a shaft coupling with a simplified design suffices, but where full protection against overload is required. The angular offset of the curved

to the LBk series is  $\pm 0,75$  degrees per coupling half. The housing is tooth tip-tooth flank centered. The double engagement coupling is lubricated by grease and sealed by O-rings.

1) Values for complete coupling with max.  $d_2$

Shaft connecting dimensions to attach bearing cover			
Type BW	Pitch Circle e Ø mm	Size of Thread f Number	Depth of Thread g mm
60	40	3xM8	15
70	50	4xM8	15
80	55	4xM8	15
90	60	4xM8	15
100	70	4xM8	20
110	75	4xM8	20
120	85	4xM8	20
130	100	4xM8	20
140	100	4xM8	20
150	120	4xM8	20
160	120	4xM10	20
170	125	4xM10	20
180	130	4xM10	20
190	140	4xM10	20
200	150	4xM12	25
220	170	6xM12	25

Dimensions are subject to change due to technical progress.

Type Combination LBk/BW Size	Torque Range T ~ Nm	$d_1$ mm	Bore $d_2$				Dimensions													Weight <sup>1)</sup> kg	Mass Moment of Inertia <sup>1)</sup> J kgm <sup>2</sup>
			rough mm	min mm	max mm		$d_3$ mm	A mm	B mm	C mm	D mm	$D_1$ mm	$D_2$ mm	E mm	$E_1$ mm	F mm	G mm	H mm	J mm		
70/ 60	1800 – 3600	60	26	28	80	133	195	145	240	90	125 <sup>+0,5</sup>	144	25	6	120	112,5	112	37	54	20	0,071
80/ 70	3000 – 6000	70	26	28	92	148	215	168	264	100	138 <sup>+0,5</sup>	158	26	6	130	128	119	43,5	58	27	0,116
90/ 80	3900 – 7800	80	30	32	105	157	230	185	286	110	154 <sup>+0,5</sup>	168	22	8	140	145	127	50,5	58	33	0,165
100/ 90	5000 – 10000	90	30	32	115	168	265	210	319	125	167 <sup>+0,5</sup>	186	27	8	150	160,5	148	55	61	50	0,323
110/100	7500 – 15000	100	53	55	126	184	270	224	361	140	189 <sup>+0,5</sup>	213	32	8	170	176	161	63,5	73	60	0,425
125/110	10000 – 20000	110	63	65	145	201	305	245	381	150	190 <sup>+0,5</sup>	221	41	10	180	200,5	175	67,5	71	78	0,735
140/130	17000 – 33000	130	73	75	162	219	330	270	426	170	231 <sup>+0,5</sup>	246	25	10	200	224,5	197	76,5	76	103	1,17
160/150	23000 – 46000	150	83	85	185	239	375	305	472	190	255 <sup>+0,5</sup>	270	27	12	230	256,5	221	85,5	80	147	1,87
180/160	35500 – 71000	160	118	120	210	247	425	348	537	220	280 <sup>+0,5</sup>	305	37	12	260	288,5	250	101	85	215	3,97
200/180	49000 – 98000	180	138	140	230	269	470	392	601	250	276 <sup>+0,5</sup>	337	75	14	300	320,5	272	121	87	283	6,66
225/200	70000 – 140000	200	158	160	260	292	535	437	666	280	327 <sup>+0,5</sup>	370	59	16	330	362	315	130,5	90	408	12,29