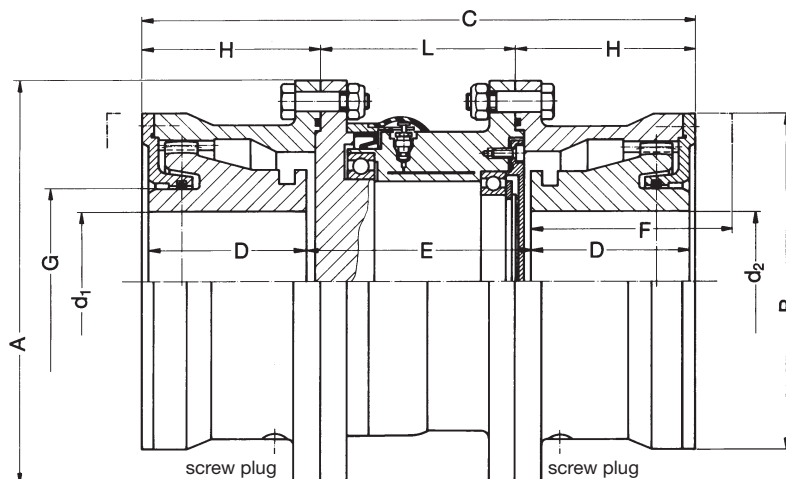


# Curved Tooth Couplings SBL with HYGUARD® Safety Coupling BWL

Table of Dimensions No. 243 088



The HYGUARD® Safety coupling BWL in flanged design combined with the curved tooth coupling type SBL. Dimensions and features of the curved tooth coupling remain the same. Double engagement type.

Max. angular offset per coupling half  $\pm 1.5$  degrees.

The curved tooth coupling SBL is suitable for oil and grease lubrication. Couplings of this series which are already in use can easily be retrofitted with the BWL safety coupling.

1) Values for complete coupling with max.  $d_1$  and  $d_2$

Dimensions are subject to change due to technical progress.

Type Combination SBL/BWL Size	Torque Range T ~ Nm	Bore $d_1, d_2$			Dimensions									Weight <sup>1)</sup> kg	Mass Moment of Inertia <sup>1)</sup> J kgm <sup>2</sup>
		rough mm	min mm	max mm	A mm	B mm	C mm	D mm	E mm	F mm	G mm	H mm	L mm		
<b>30/ 30</b>	400 – 800	10	12	32	118	92	190	50	87	75	45	55	80	10,4	0,0161
<b>40/ 40</b>	710 – 1420	20	22	46	145	115	227	60	104	90	60	68,5	90	18,6	0,045
<b>50/ 50</b>	1400 – 2800	20	22	58	165	135	267	70	124	110	75	78,5	110	27	0,083
<b>60/ 60</b>	2500 – 5000	26	28	70	200	160	288	80	122	120	90	91,5	105	41,8	0,181
<b>70/ 70</b>	4000 – 8000	26	28	78	220	178	314	90	128	130	100	102	110	54	0,283
<b>80/ 80</b>	5600 – 11200	30	32	92	240	196	344	100	138	150	120	112	120	69	0,433
<b>90/ 90</b>	8000 – 16000	30	32	100	270	225	382	110	154	170	130	126	130	101	0,803
<b>100/ 100</b>	11200 – 22400	53	55	110	280	240	412	120	164	180	140	136	140	116	1,01
<b>110/ 110</b>	14000 – 28000	63	65	120	310	265	442	130	174	190	155	146	150	151	1,64
<b>125/ 125</b>	22400 – 44800	73	75	138	340	295	500	150	190	215	175	170	160	202	2,81
<b>140/ 140</b>	31500 – 63000	83	85	156	390	325	540	165	200	230	200	185	170	281	4,57
<b>160/ 160</b>	45000 – 90000	118	120	180	435	370	606	190	214	270	230	213	180	387	8,15
<b>180/ 180</b>	63000 – 126000	138	140	200	480	415	673	220	229	300	260	239	195	530	13,49
<b>200/ 200</b>	90000 – 180000	158	160	225	545	465	748	245	250	340	290	269	210	745	24,24
<b>220/ 220</b>	125000 – 250000	158	160	250	580	510	818	270	278	360	355	294	230	910	33,11